

# Model Number

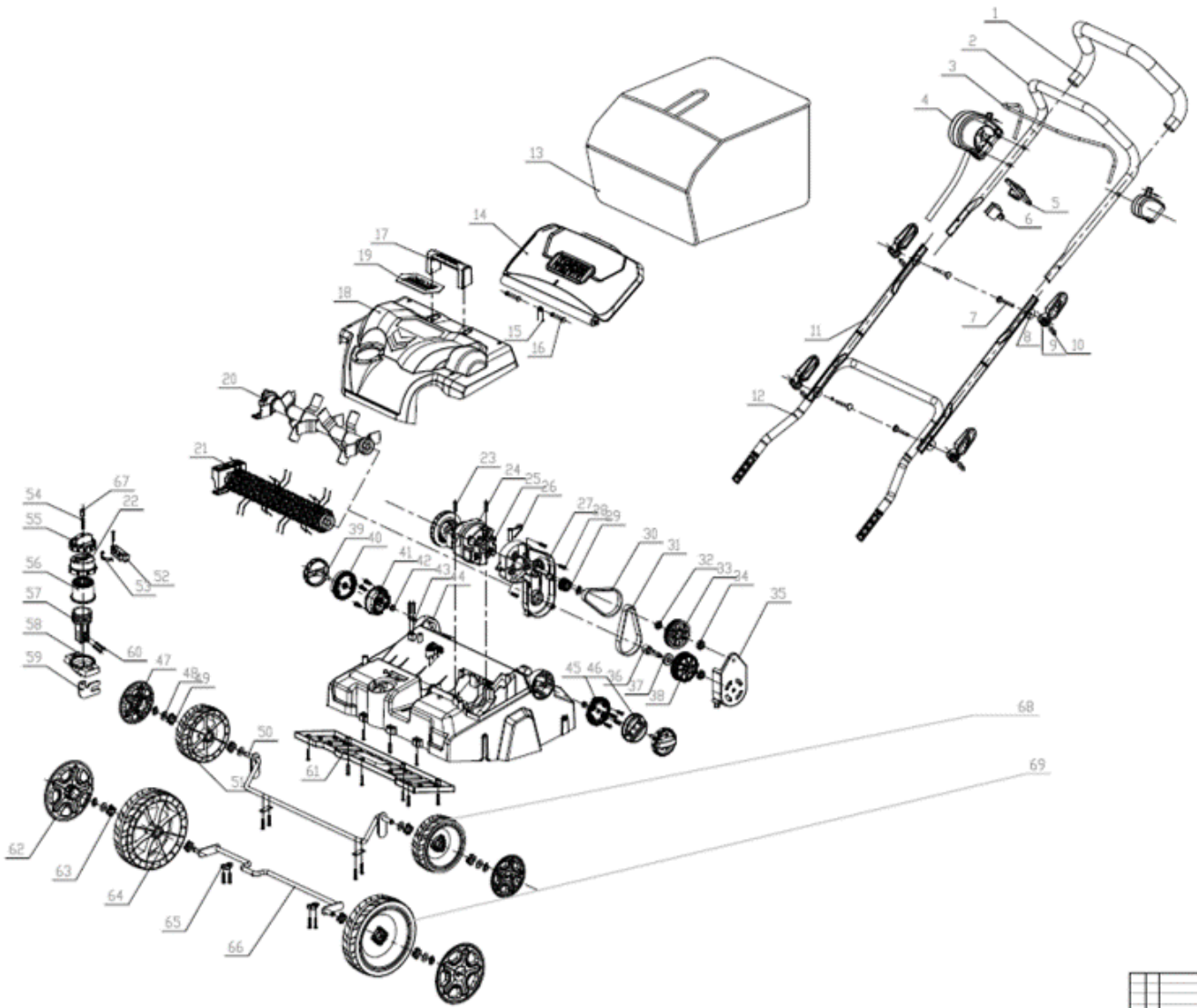
Mac Allister MSRP1800



1800W Raker/Scarifier (UK)

Parts Manual

# Exploded Diagram




## Parts List

Part ID	Apelson PN	MPN	Part Description	Qty
1	1413910	1413910	FOAM	1
2	1442220	1442220	UPPER HANDLE	1
3	1413217	1413217	SWITCH BAR	1
4	01429ZA	01429ZA	SWITCH BOX	1
5	402009	402009	CORD HOLDER	1
6	428032	428032	CORD CLIP	2
7	1413216	1413216	QUICK ACTION CLAMP BLOT	4
8	B504007	B504007	FLAT WASHER 6.6x24x2	4
9	1453010	1453010	QUICK ACTION CLAMP LEVER	4
10	1413209	1413209	PIN	4
11	1442222	1442222	MIDDLE HANDLE	1
12	1442221	1442221	LOWER HANDLE	2
13	SLS37A.0.4	SLS37A.0.4	COLLECTION BAG	1
14	1442009	1442009	REAR FLAP	1
15	1442503	1442503	REAR FLAP SPRING	1
16	1442215	1442215	REAR FLAP AXLE	1
17	1453006	1453006	CARRYING HANDLE	1
18	1453004	1453004	TOP COVER	1
19	1453005	1453005	LOGO	1
20	SLS37A.0.1	SLS37A.0.1	BLADE	1
21	SLS37A.0.2	SLS37A.0.2	AERATOR	1
22	1453008	1453008	ADJUSTING KNOB SEAT	1
23	B400025F	B400025F	SCREW ST 4.2x16	35
24	1442024	1442024	MOTOR BRACKET	1
25	1442701	1442701	MOTOR ASSEMBLY	1
26	1442012	1442012	COVER	1
27	ZL102GBT1173	ZL102 GB/T1173	TRANSMISSION BOX	1
28	B401015FB	B401015FB	SCREW ST 4.8x19	3
29	1442102	1442102	PINION	1
30	1442303	1442303	TIMMING BELT	1
31	1442302	1442302	TIMMING BELT	1
32	B700404	B700404	BEARING 608-2Z	1
33	1442103	1442103	MIDDLE PULLEY	1
34	B700404	B700404	BEARING 608-2Z	2
35	1442001	1442001	TRANSMISSION BOX COVER	1
36	1442250	1442250	AXLE	1
37	B700453	B700453	BEARING 6201-2RS	1
38	1442104	1442104	BIG GEAR	1
39	1442013	1442013	KNOB	2
40	1442014	1442014	LEFT COVER WITH TEETH	1
41	1442016	1442016	LEFT SUPPORT	1
42	B201003	B201003	NUT M8	2
43	401705	401705	CABLE CLAMPING BOARD	1
44	1442007	1442007	DECK	1
45	1442017	1442017	RIGHT -SUPPORT	1
46	1442015	1442015	RIGHT -COVER WITH TEETH	1

47	1453016	1453016	WHEEL COVER	2
48	B504011	B504011	FLAT WASHER 10	6
49	916402	916402	BUSHING	4
50	1442258	1442258	REAR AXLE	1
51	1453013	1453013	REAR WEEL R	
52	1442022	1442022	SPRING PLATE SEAT	1
53	1442213	1442213	SPRING PLATE	1
54	B401015FB	B401015FB	SCREW	1
55	1453007	1453007	ADJUSTING KNOB	1
56	1453009	1453009	ADJUSTING THREAD SLEEVE	1
57	1442020	1442020	ADJUSTING BASE	1
58	1442021	1442021	SUPPORT BASE	1
59	1442212	1442212	SUPPORT PLATE	1
60	B320015	B320015	SCREW M5×20	2
61	1442010	1442010	BOTTOM COVER	1
62	1453015	1453015	WHEEL COVER	2
63	916402	916402	SHAFT BUSHING	4
64	1453014	1453014	FRONT WHEEL R	1
65	1442023	1442023	PLATE FOR FIXING SHAFT	2
66	1442207	1442207	FRONT AXLE	1
67	1453019	1453019	BLOCK	1
68	1453013	1453013	REAR WEEL L	3
69	1453011	1453011	FRONT WHEEL L	1